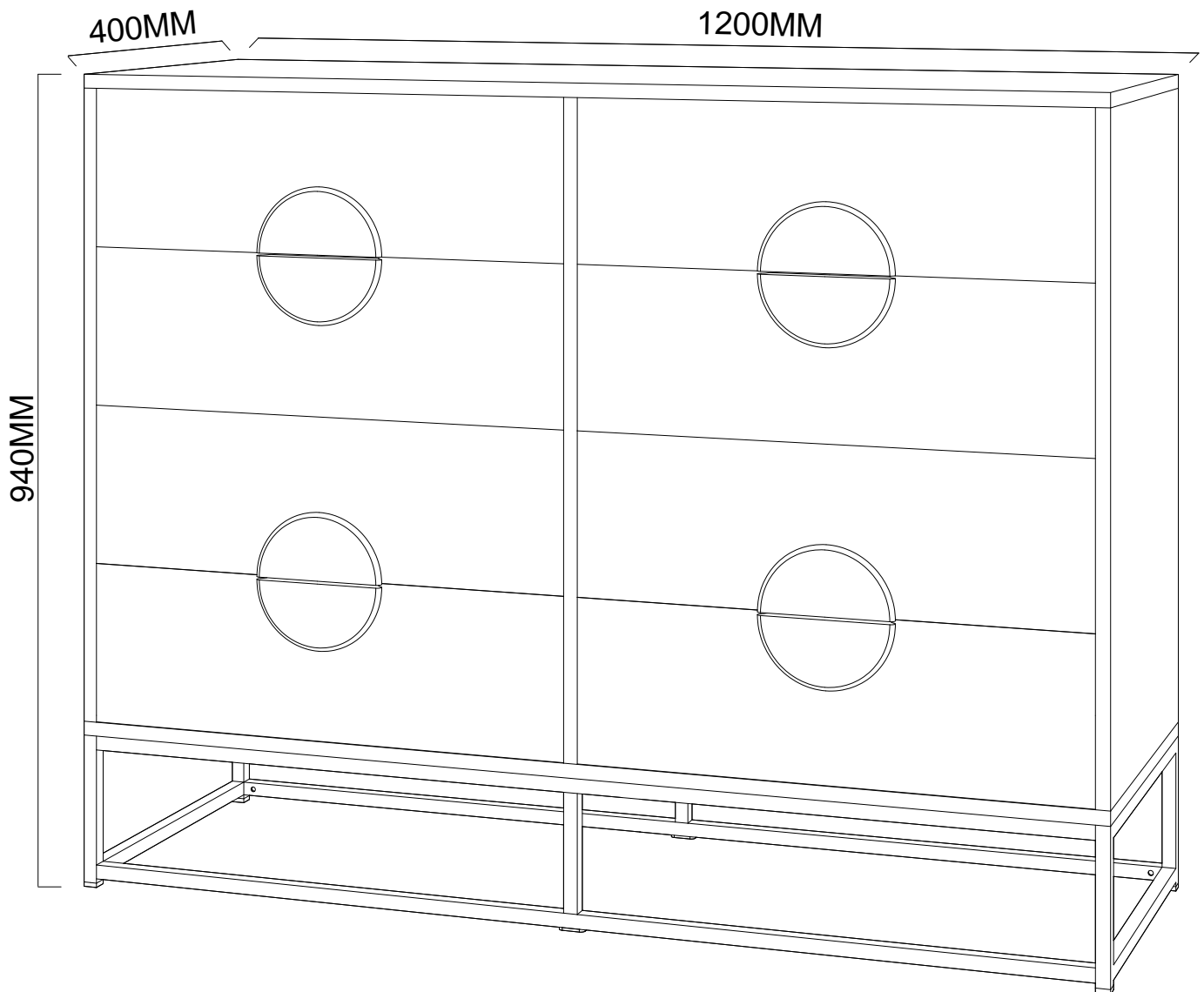




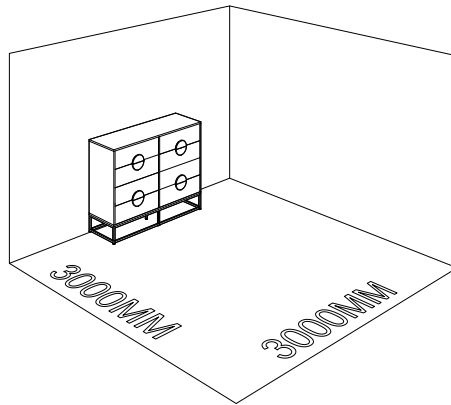
ASSEMBLY INSTRUCTION
VALKYRIE DRESSER
ITEM CODE 76055

Imported by Amart Furniture Pty Ltd, Qld, Brisbane Australia.
For any assistance with assembly or for missing parts please phone
Amart Furniture, Customer Service Free call 1800 351 084



Imported by Amart Furniture Pty Ltd, Qld, Brisbane Australia.
For any assistance with assembly or for missing parts please phone
Amart Furniture, Customer Service Free call 1800 351 084





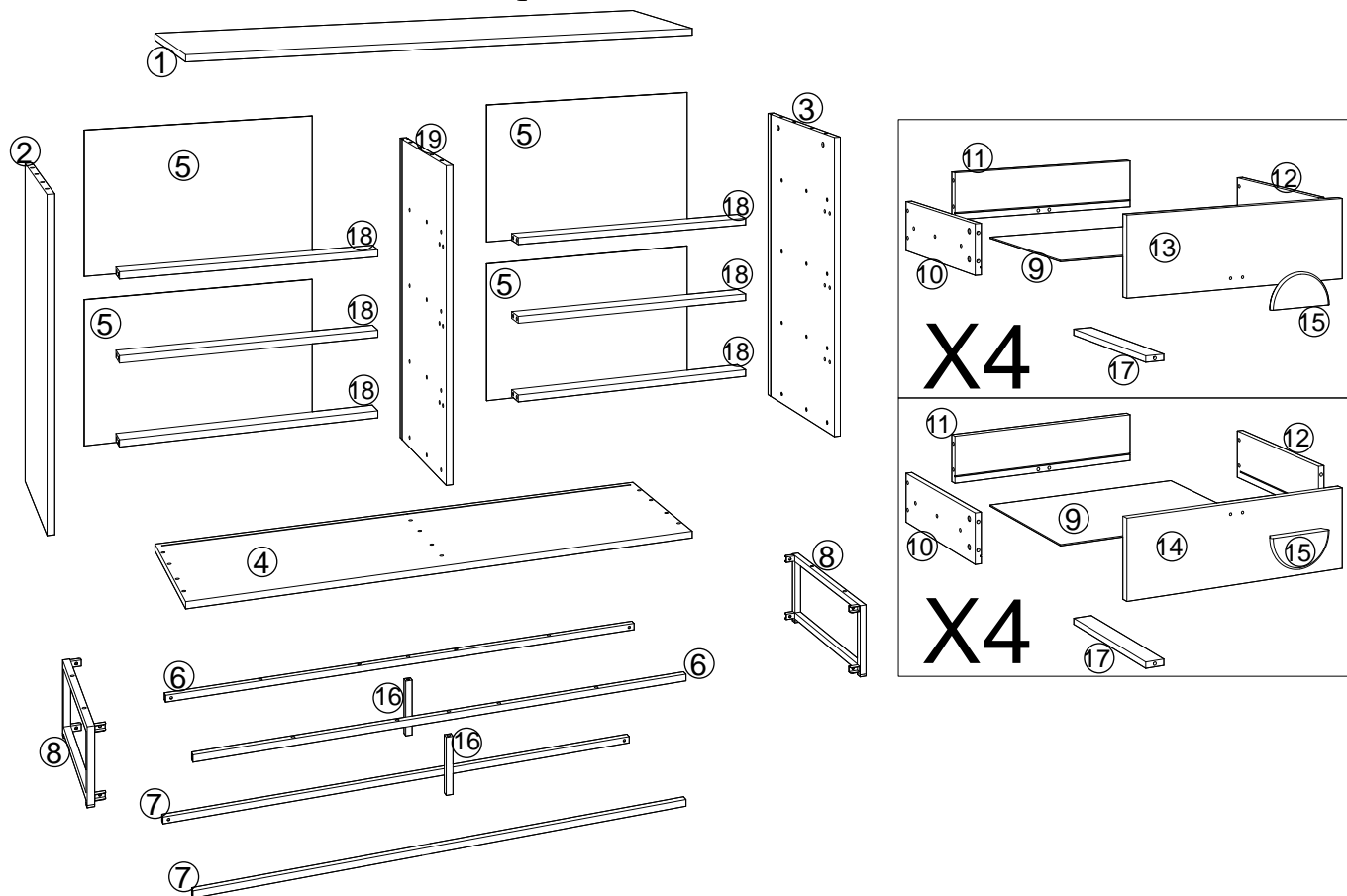
<p>ALLOW 60 MINUTES</p>	<p>PEOPLE REQUIRED</p>
<p>ADDITIONAL TOOLS REQUIRED</p>	

<p>! TIPPING WARNING !</p>	
	<p>Serious or fatal injuries may occur from furniture toppling over. To help avoid this please follow the below recommendations:</p> <ul style="list-style-type: none"> • Install the provided "Tipping Kit" as per the instructions • Never allow children to climb on or hang off of any part of this product • Unless specifically designed to accommodate, do not set TVs or other heavy objects on top of this product <p>If this product has drawers:</p> <ul style="list-style-type: none"> • Place the heaviest items in lowest drawers. • Do not open more than 1 drawer at a time as this may cause the product to become unbalanced • Do not tamper with or remove any drawer interlocking/running system <p>Note: The use of the provided "Tipping Kit" may reduce but not necessarily eliminate the risk of furniture toppling over. Please use this product with caution.</p> <p><i>This is a permanent label. Do not attempt to remove!</i></p>

Assembly is to be carried out by a competent adult only.
 During assembly children should be kept away from the product due to possible risk of injury.
 Do not use this item if any components are missing or damaged.
 Please keep these instructions for future reference.



EXPLODED EXAMPLE



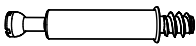




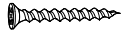
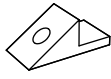



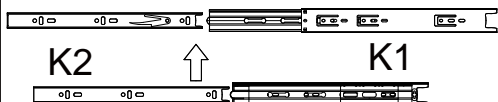

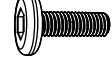
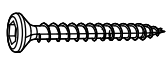

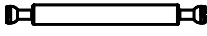



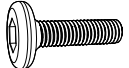
1	TOP PANEL	11	DRAWER BACK PANEL x 8
2	LEFT SIDE PANEL	12	DRAWER RIGHT SIDE PANEL x 8
3	RIGHT SIDE PANEL	13	1st/3rd DRAWER FRONT PANEL x 4
4	BOTTOM PANEL	14	2nd/4th DRAWER FRONT PANEL x 4
5	BACK PANEL x 4	15	WOODEN HANDLE x 8
6	TOP METAL BAR x 2	16	METAL SUPPORT BAR x 2
7	BOTTOM METAL BAR x 2	17	DRAWER SUPPORT PANEL x 8
8	METAL LEG x 2	18	CROSSING BAR x 6
9	DRAWER BOTTOM PANEL x 8	19	MIDDLE PANEL
10	DRAWER LEFT SIDE PANEL x 8		

CHECKLIST

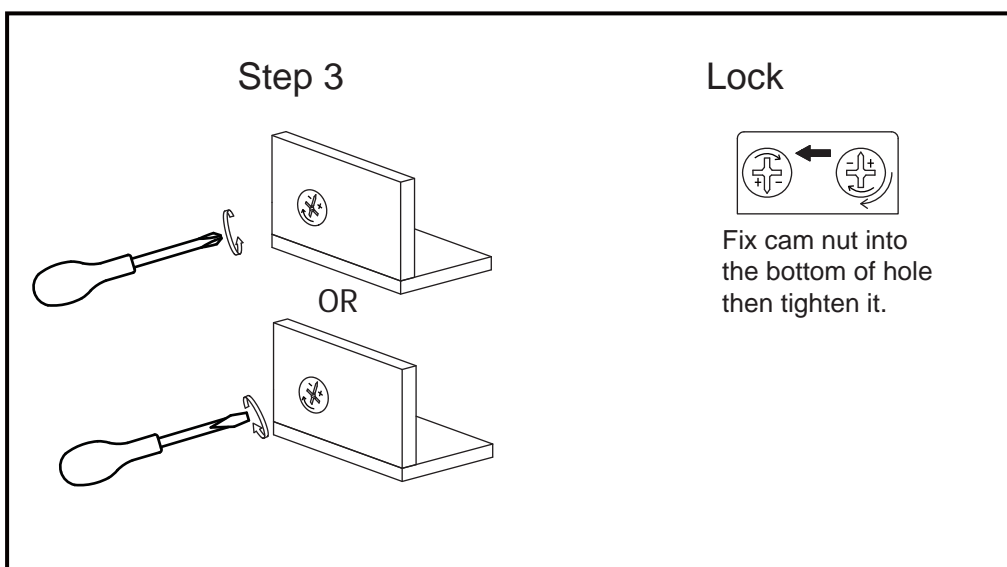
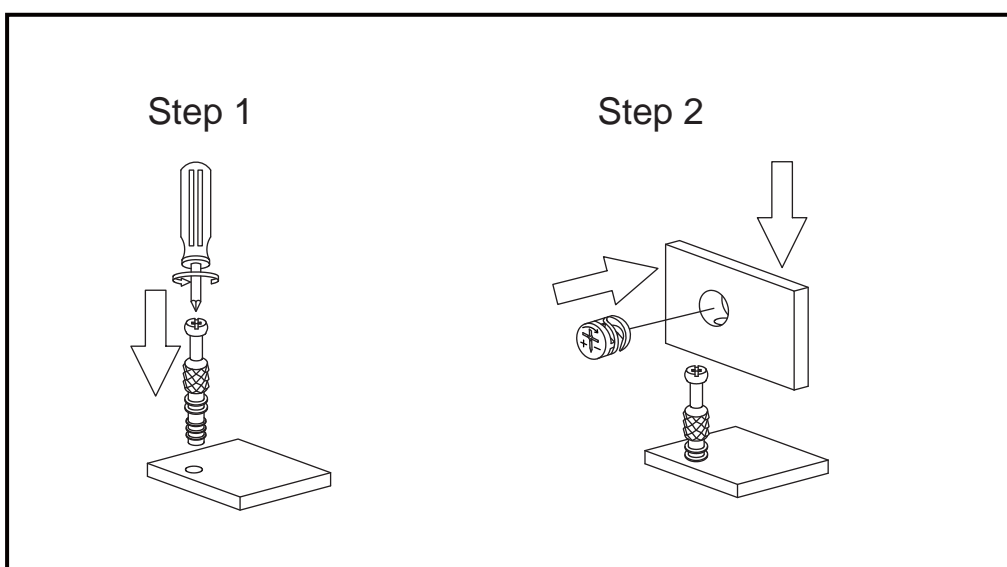
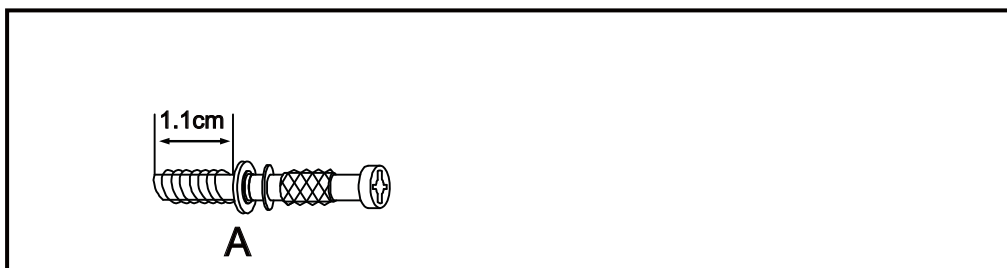
Before you start.....

1. Choose a clean, level, spacious assembly area. Avoid hard surfaces that may damage the product.
2. Check and ensure that you have all required contents for complete assembly.
3. Always read the assembly instructions carefully before beginning assembly.
4. The packaging and contents can be a choking hazard. Please keep out of reach of small children at all times.
5. Do not over tighten the bolts as this may damage the thread.

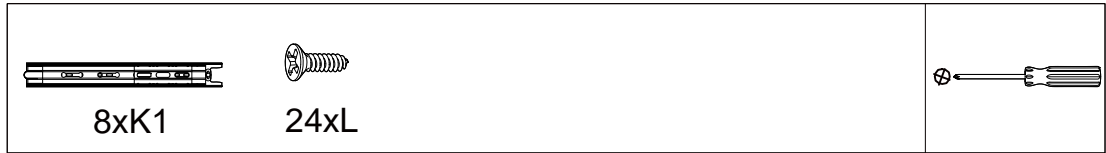


A <input type="checkbox"/> cam bolt  M6x35mm 52xA	B <input type="checkbox"/> cam lock  M15x10mm 58xB	C <input type="checkbox"/> dowel  M6x30mm 18xC	D <input type="checkbox"/> screws  M4x40mm 6xD	E <input type="checkbox"/> wall anchor  2xE
F <input type="checkbox"/> screws  M4x35mm 48xF	G <input type="checkbox"/> plastic bracket  16xG	H <input type="checkbox"/> screws  M3x16mm 16xH	I <input type="checkbox"/> allen key  1xI	J <input type="checkbox"/> screws  M4x25mm 16xJ
K <input type="checkbox"/> runner  K2 ↑ K1 16xK	L <input type="checkbox"/> screws  M3x12mm 96xL	M <input type="checkbox"/> screws  M6x12mm 8xM	N <input type="checkbox"/> screws  M5x30mm 12xN	
O <input type="checkbox"/> washer  12xO	P <input type="checkbox"/> cam bolt  M6x65mm 3xP	Q <input type="checkbox"/> filler  2xQ	R <input type="checkbox"/> sticker  2xR	S <input type="checkbox"/> dowel  M6x50mm 3xS
T <input type="checkbox"/> screws  M6x30mm 4xT				

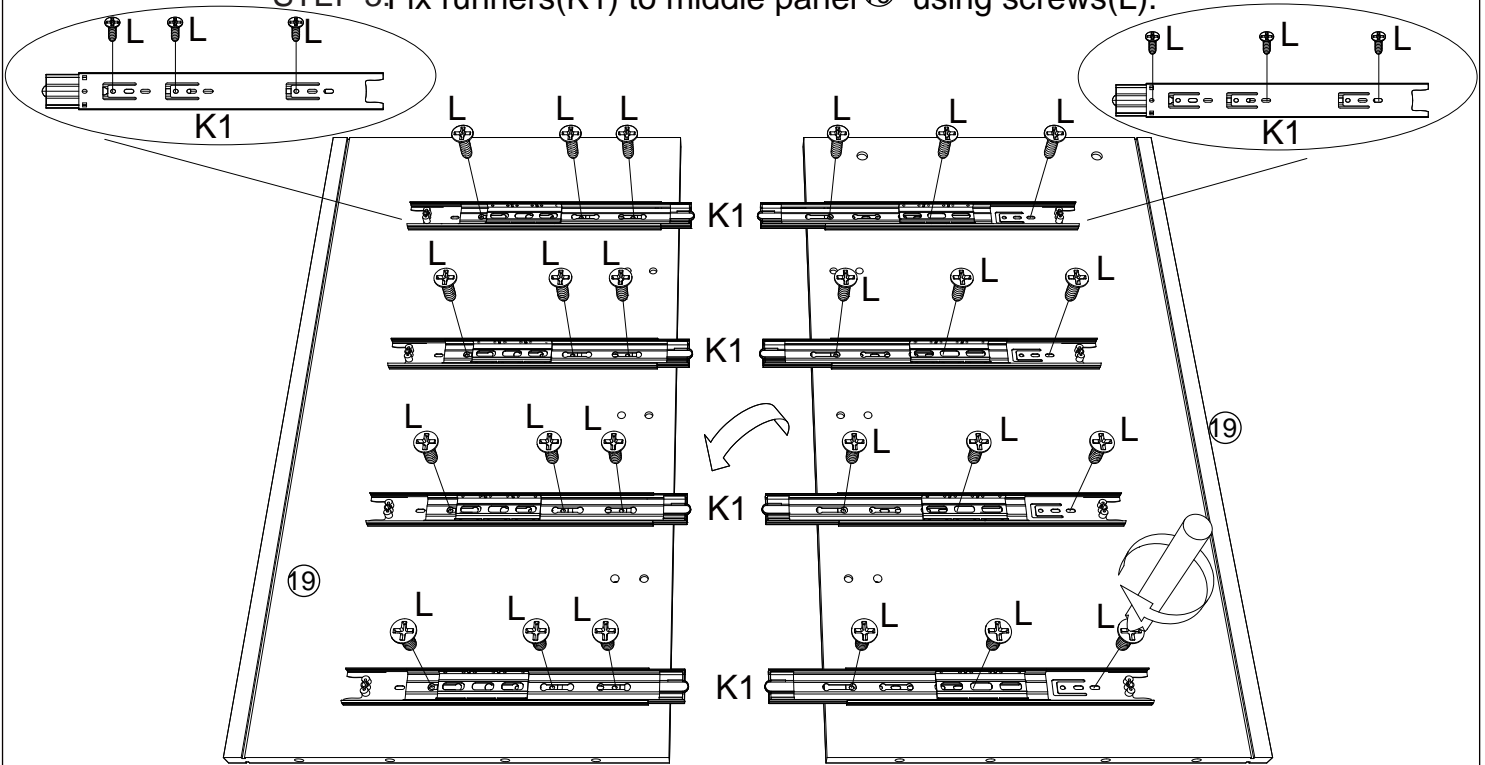
CAM LOCK INSTALL METHOD AS FOLLOWS



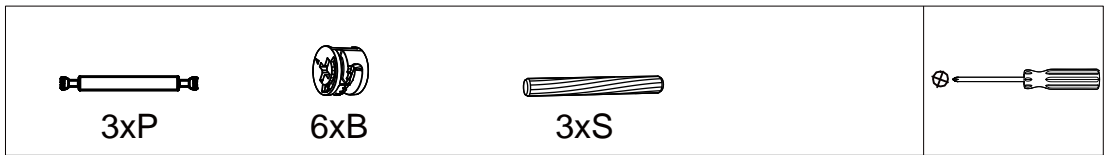
3



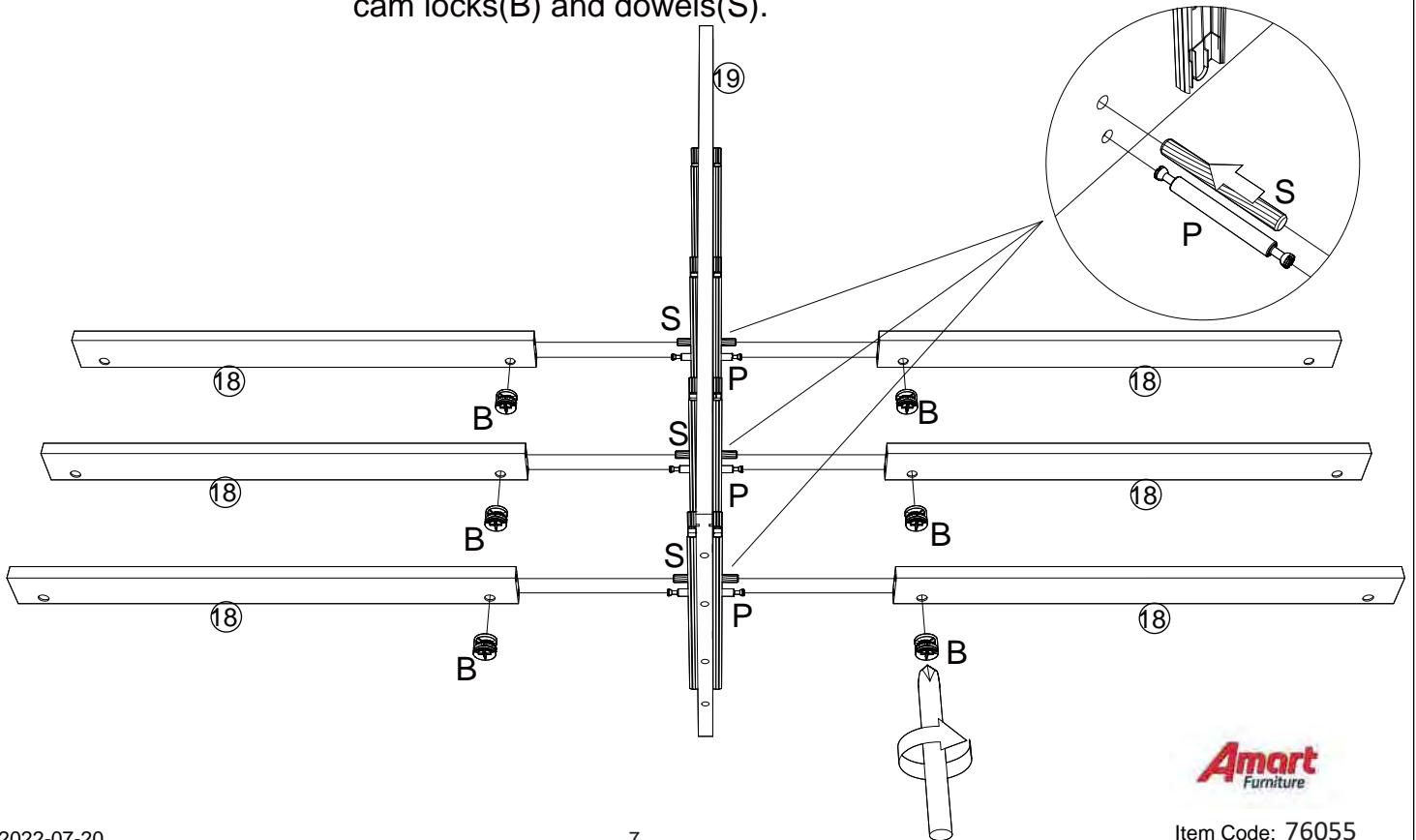
STEP 3: Fix runners(K1) to middle panel ⑰ using screws(L).



4



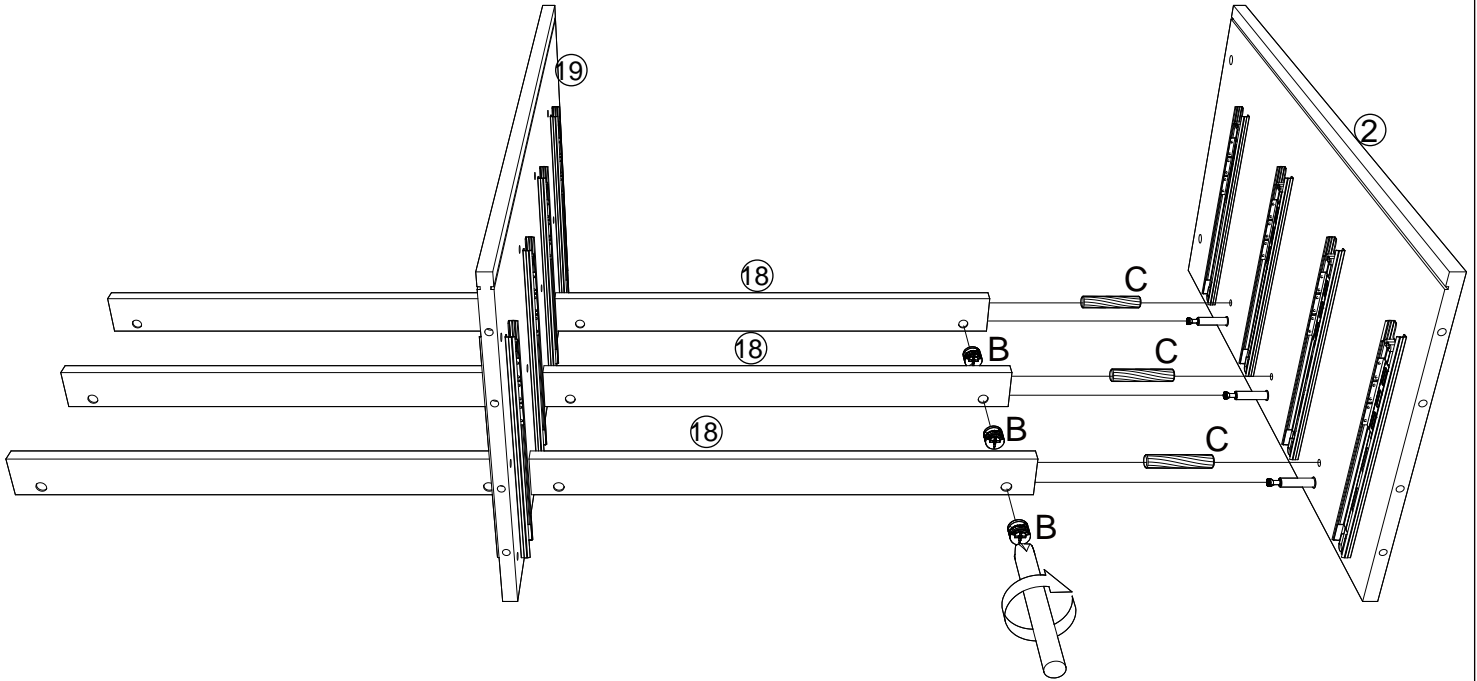
STEP 4: 4、 Attach crossing bars ⑱ to middle panel ⑰ using cam bolts(P), cam locks(B) and dowels(S).



5



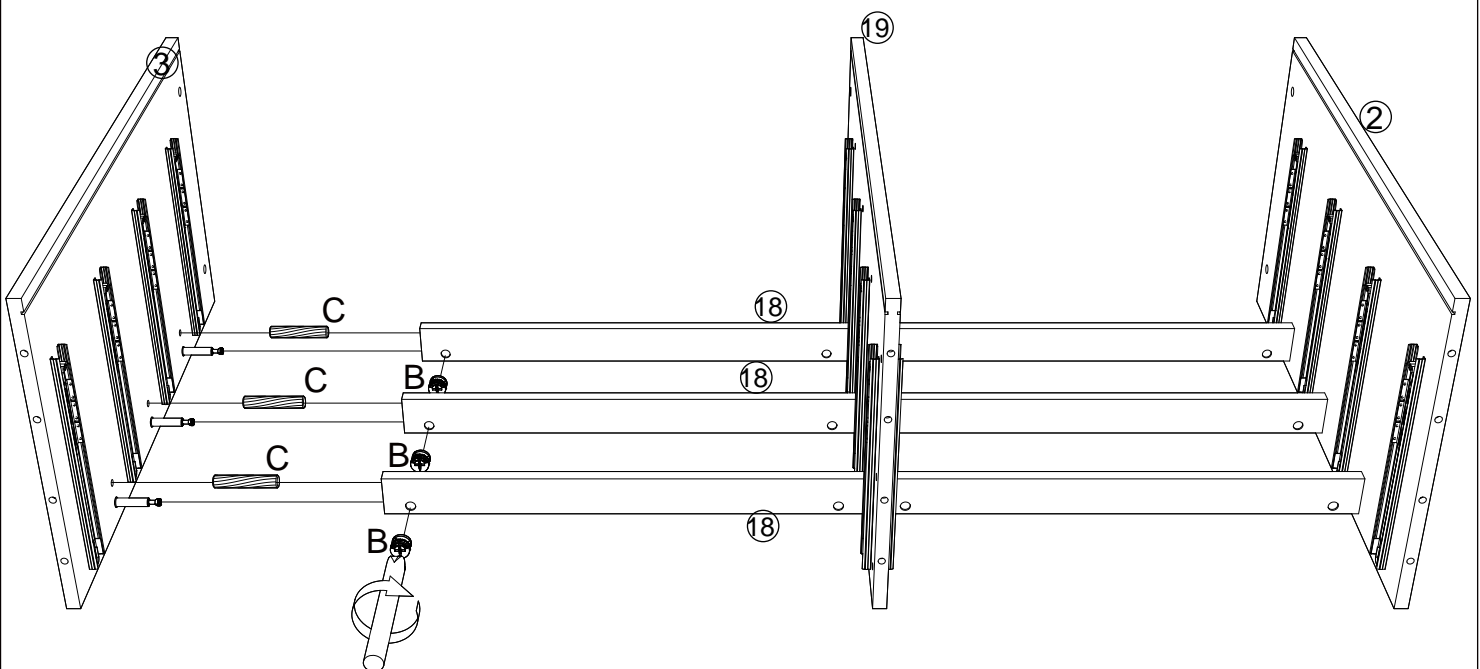
STEP 5: Attach left side panel ② to the existing unit using cam locks (B) and dowels (C).



6



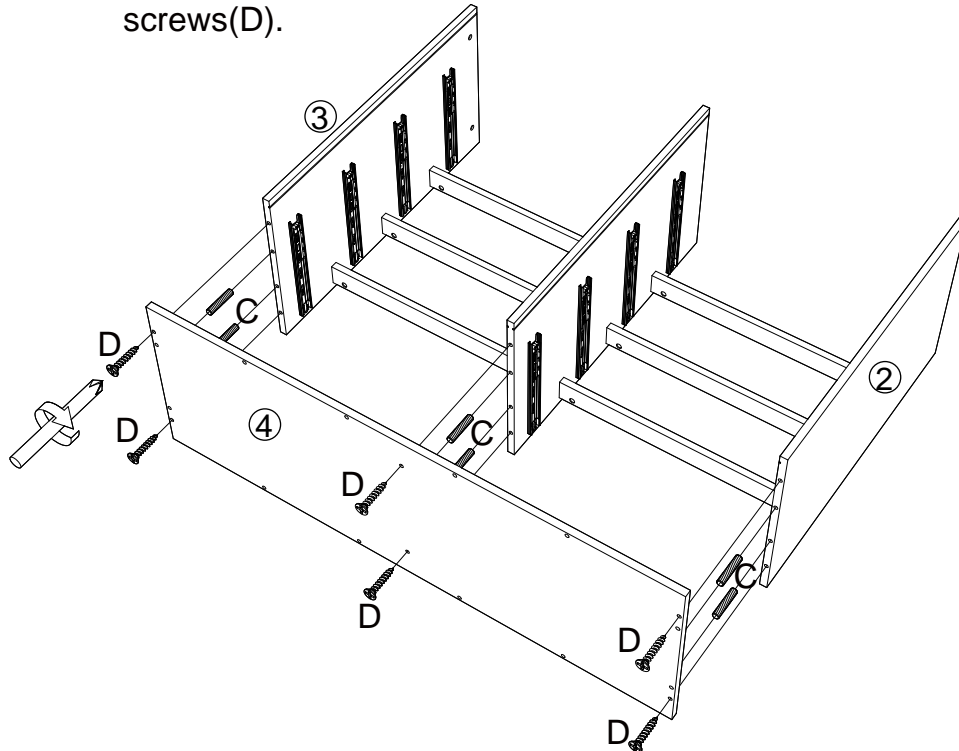
STEP 6: Attach right side panel ③ to the existing unit using cam locks (B) and dowels (C).



7



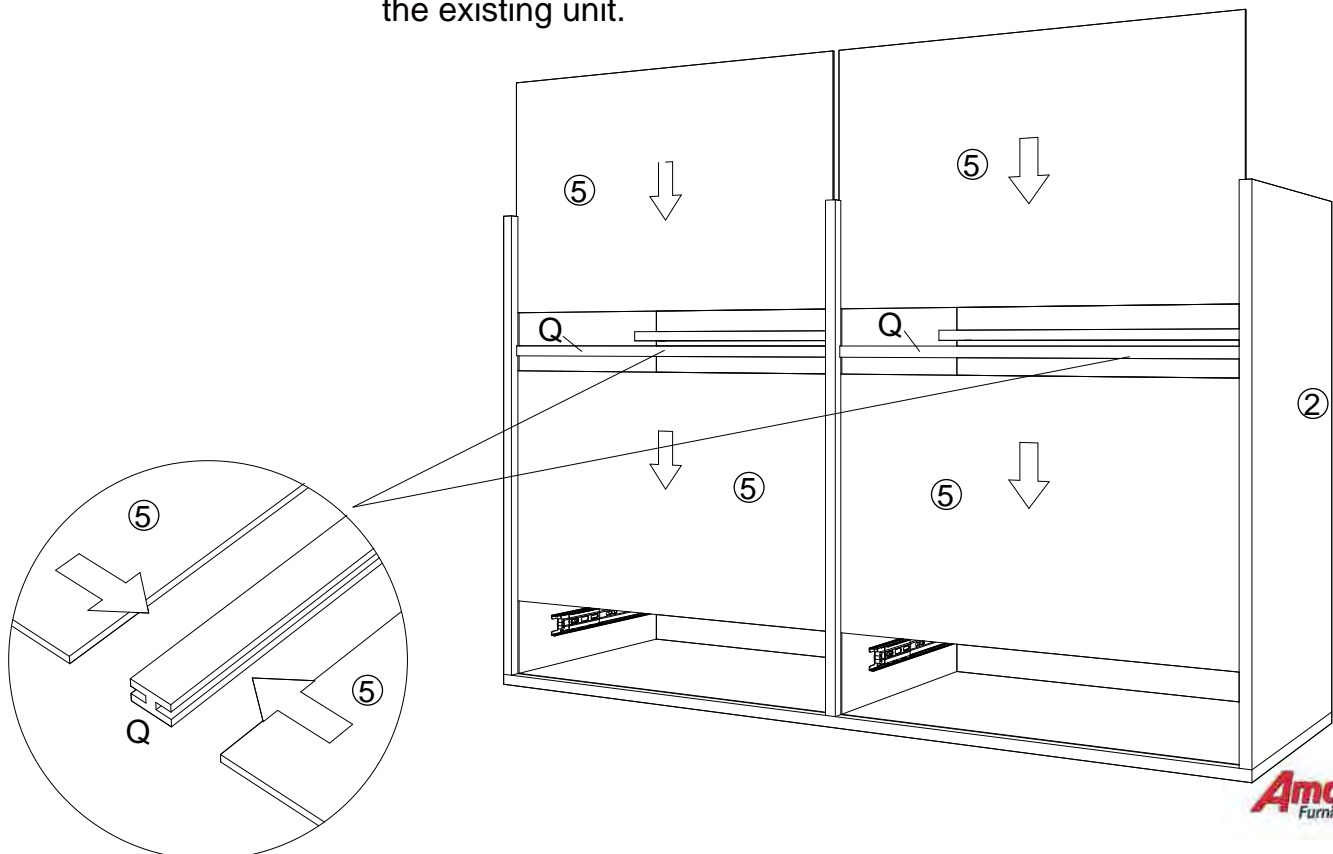
STEP 7: Attach bottom panel ④ to the existing unit using dowels(C) and screws(D).



8



STEP 8: 8、 Join four back panels ⑤ with fillers(Q). Then insert back panels to the existing unit.

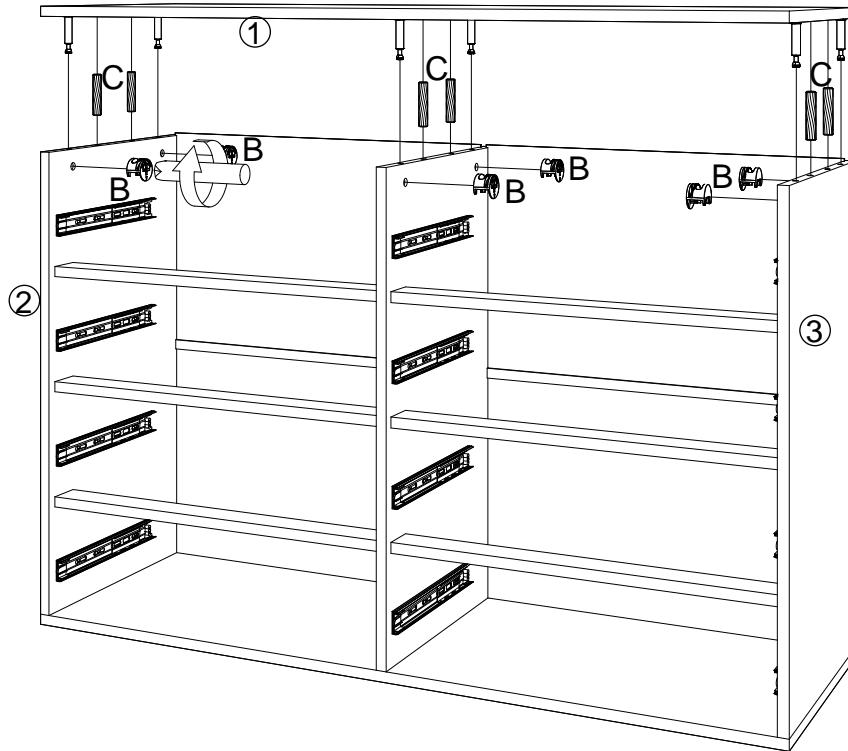


Amart
Furniture

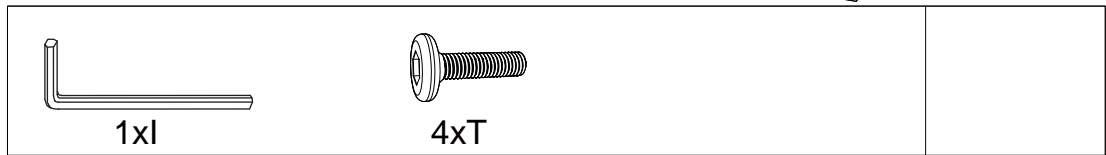
9



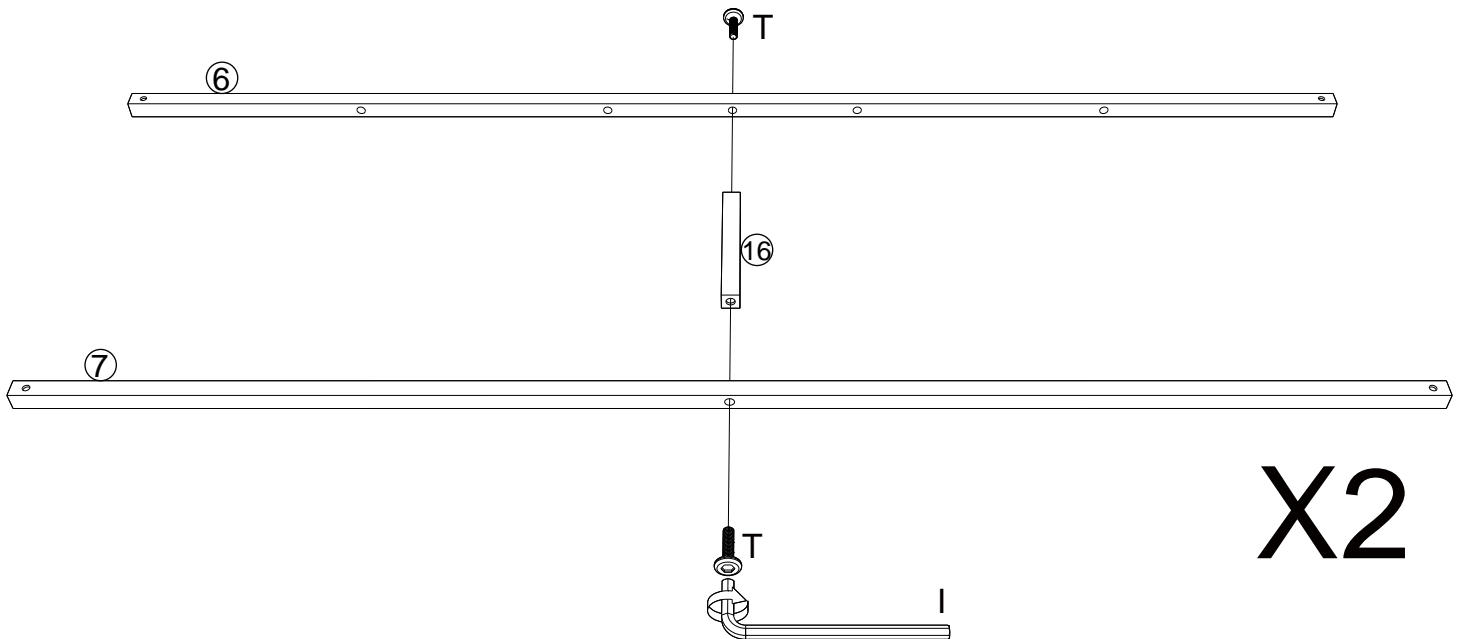
STEP 9: Attach top panel ① to the existing unit using cam locks (B) and dowels (C).



10



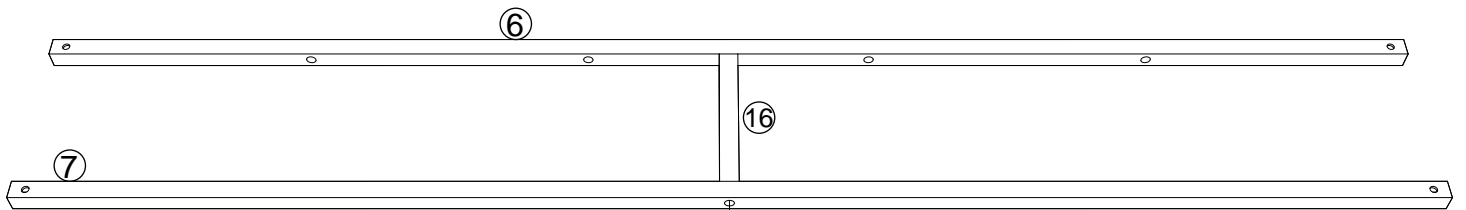
STEP 10: Attach top metal bar ⑥, bottom metal bar ⑦ and metal support bar ⑩ using screws (T) and allen key (I).



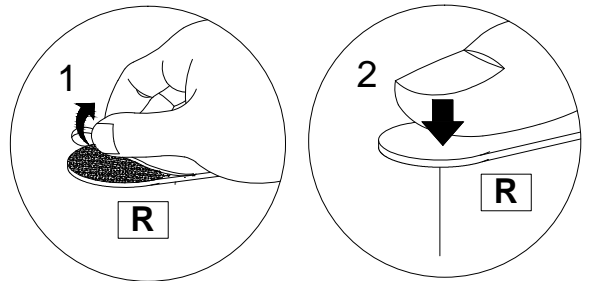
11



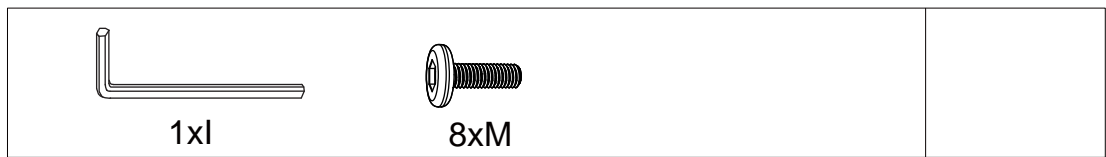
STEP 11: Paste stickers(R) to cover the screws.



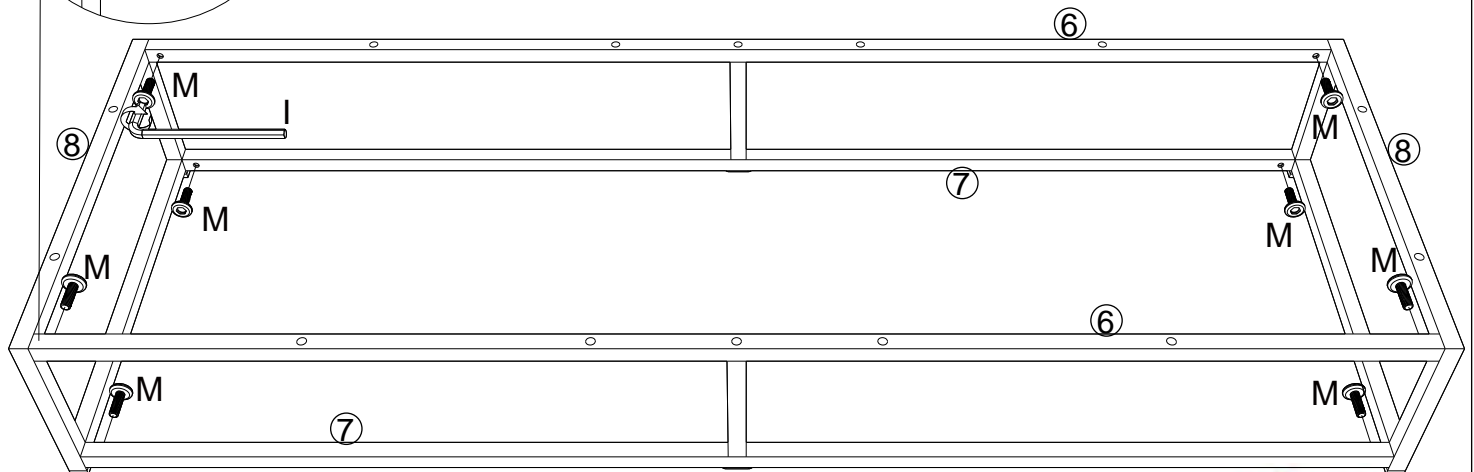
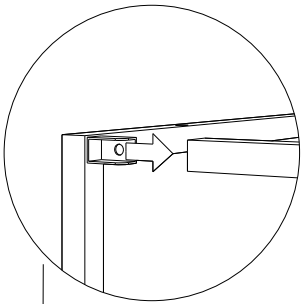
X2



12

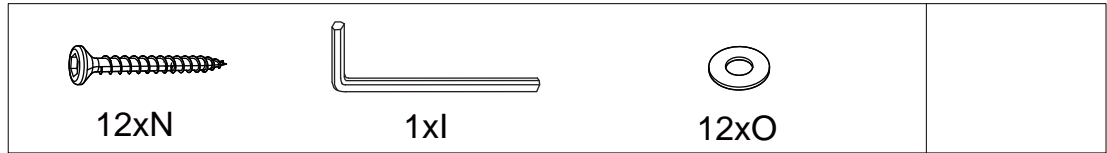


STEP 12: Attach metal legs(8) to the existing metal frame using screws(M) and allen key(I).

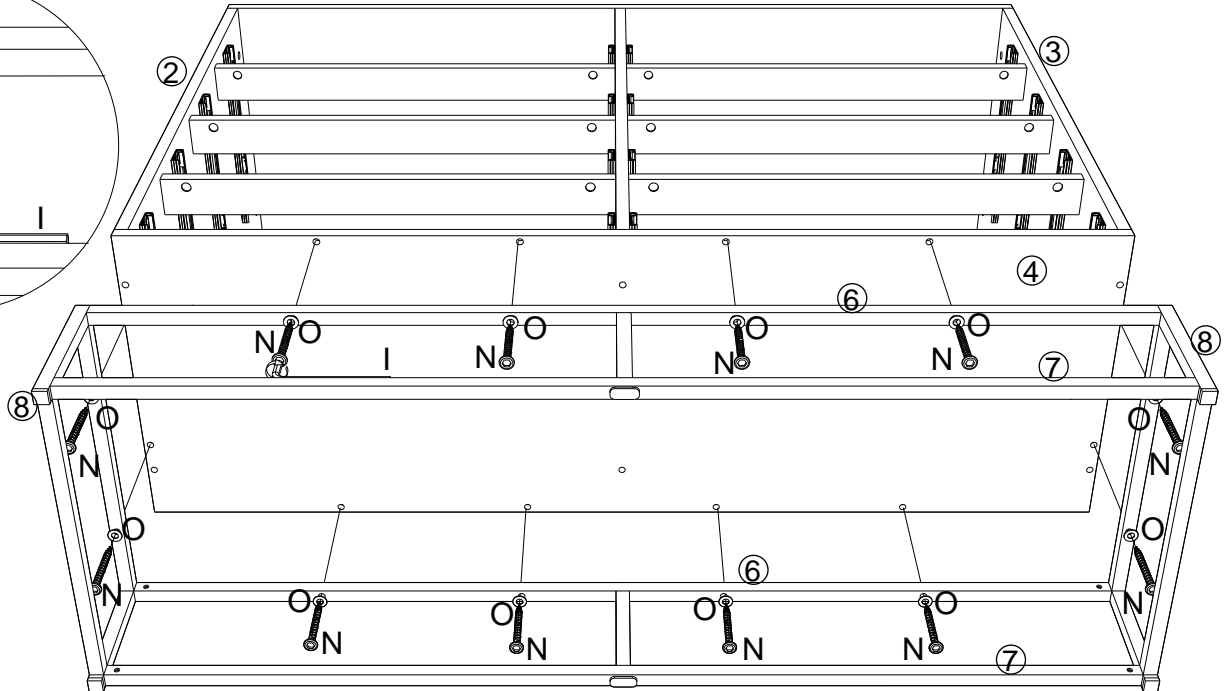
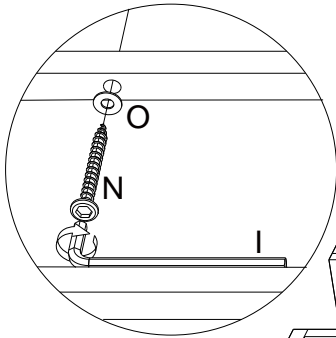


Amart
Furniture

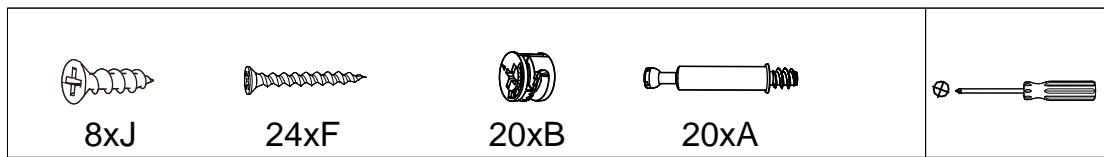
13



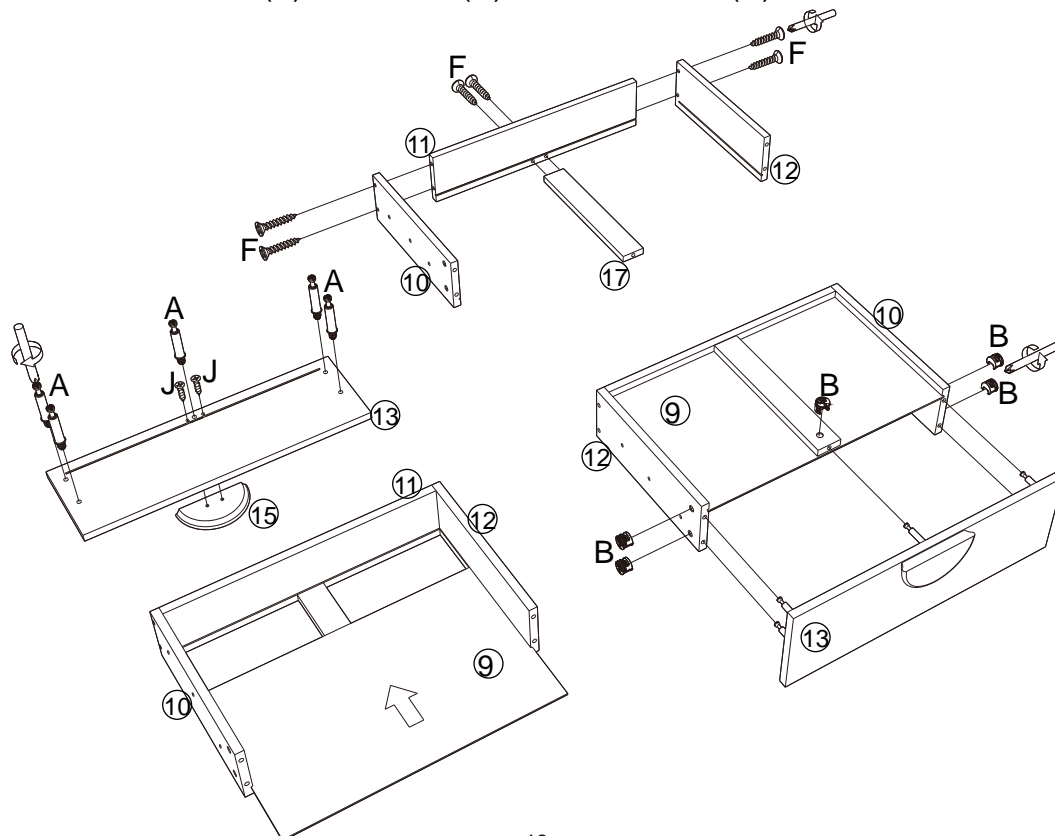
STEP 13: Attach bottom metal frame to the body using allen key(I),screws(N) and washers(O).



14



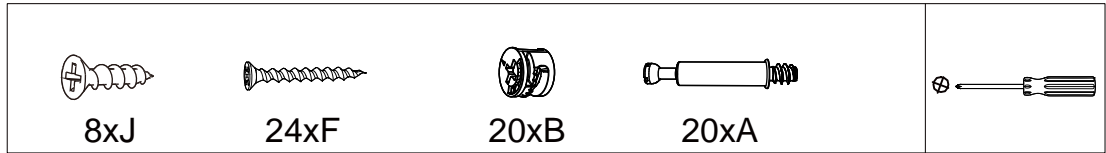
STEP 14: Assemble drawers as shown in below diagram using screws(J),screws (F),cam locks(B) and cam bolts (A) .



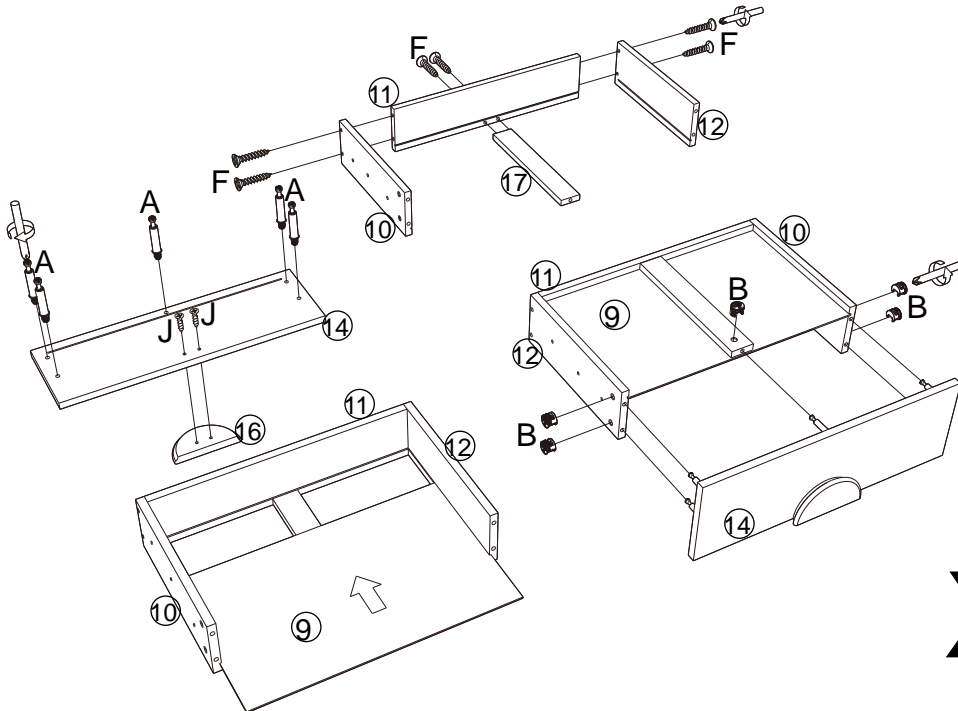
X4

Amart
Furniture

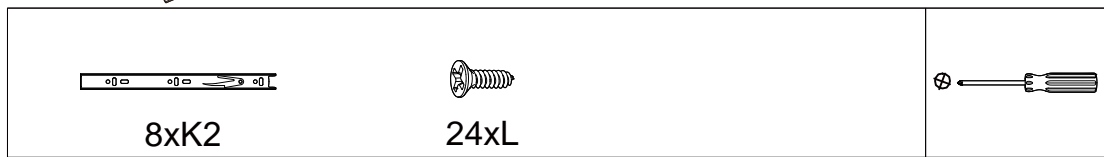
15



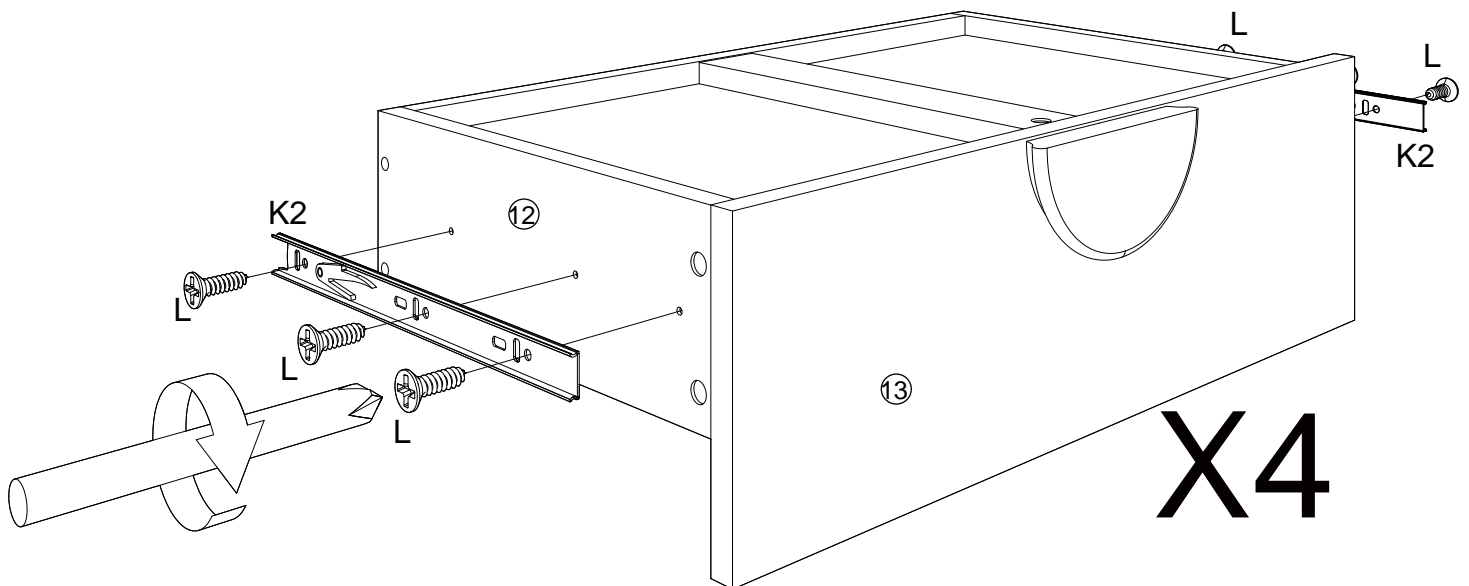
STEP 15: Assemble drawers as shown in below diagram using screws(J),screws (F),cam locks(B) and cam bolts (A) .



16



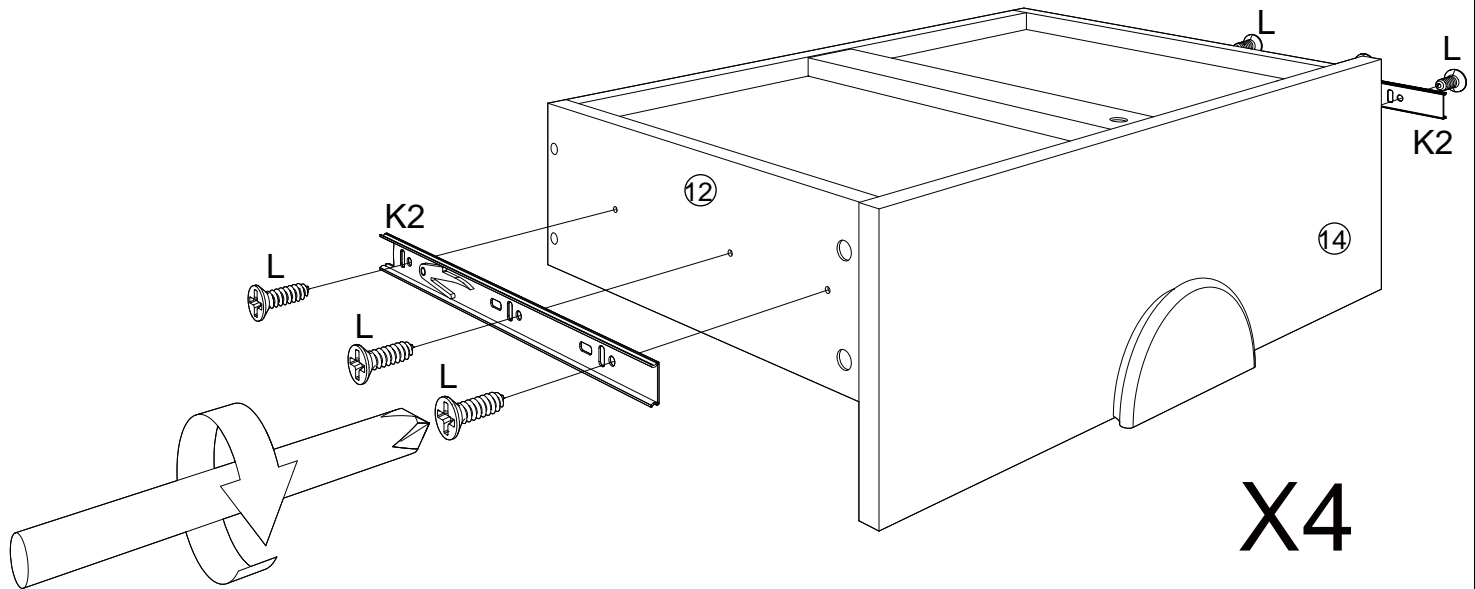
STEP 16: Fix runners(K2) to the drawers using screws(L).



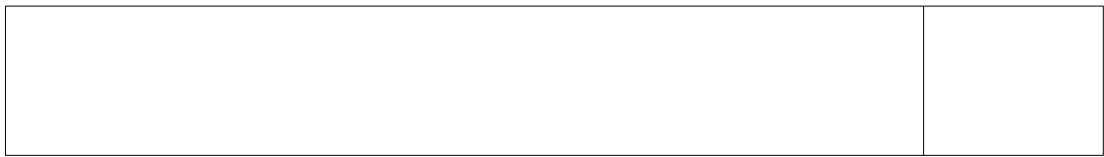
17



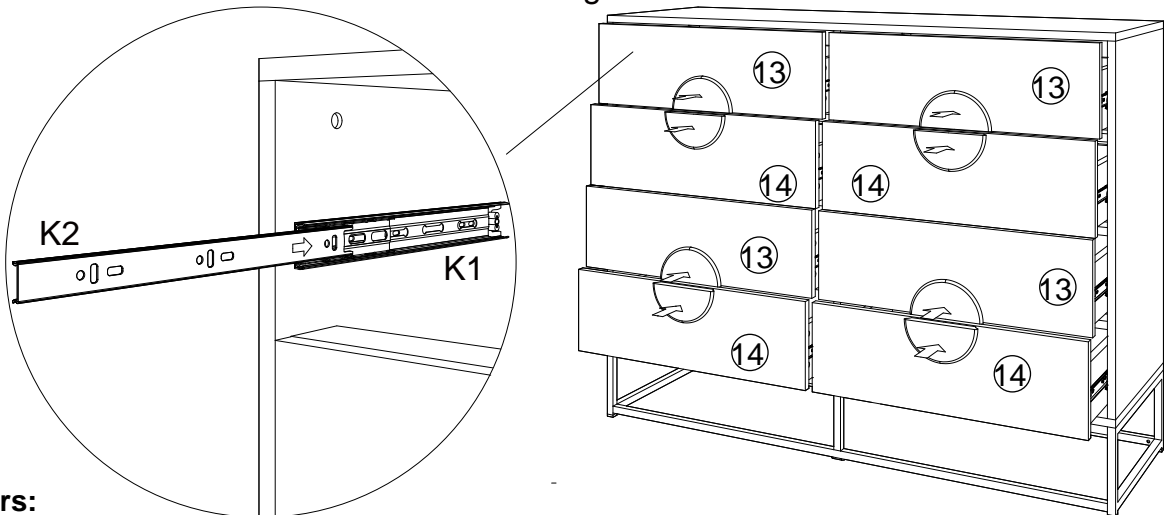
STEP 17: Fix runners(K2) to the drawers using screws(L).



18



STEP 18: Place drawers to the existing unit.



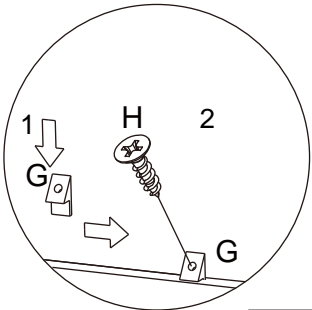
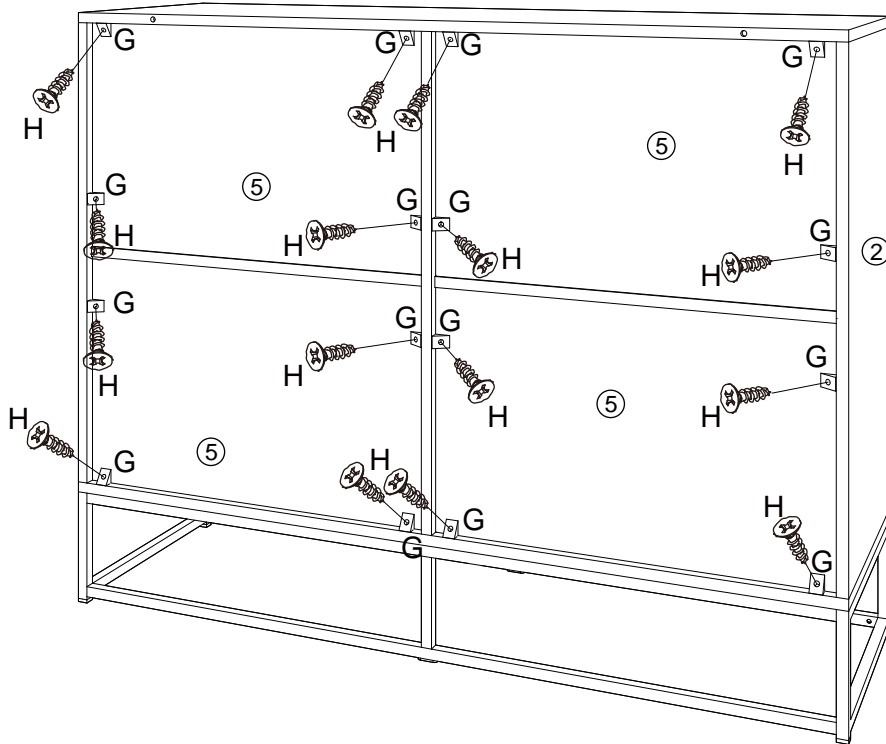
To insert Drawers:

- Bring the ball-bearing slider on Drawer Glide Track(K1) forward to the front edge of(K1).
- Align the back open-end of the Drawer Glide Runner(K2) on each side of the drawer to fit squarely into the groove on the open front-end of(K1). Be sure the drawer/K2 is not tilted or angled, and gently push in drawer squarely.
- When the drawer is pushed in about half way, the Disconnect Lever on (K2) will be engaged onto(K1) which will create a slight resistance-this is normal. Pull out the drawer a little bit and gently push in the drawer again to engage the Lever to the slide mechanism on (K1). The drawer should now slide smoothly.
- If the drawer cannot be pushed in or stuck, do not force it in. Remove the drawer and repeat the steps above.

19



STEP 19: Fix plastic brackets(G) to back panel using screws(H).

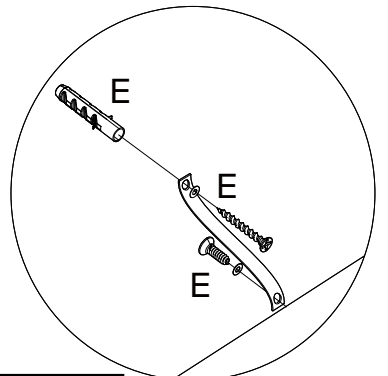
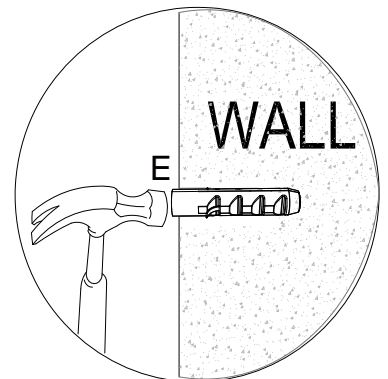
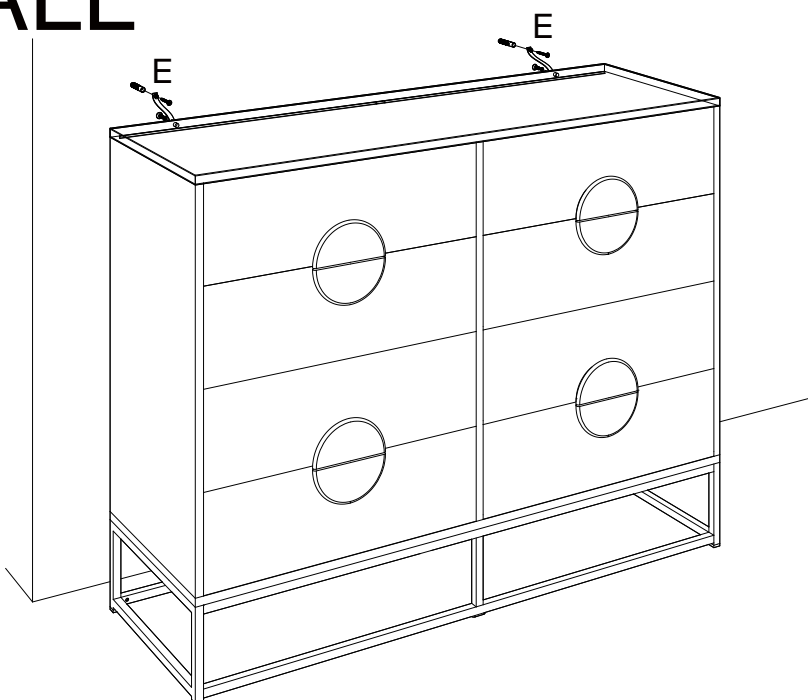


20



STEP 20: Fix wall anchor(E) onto the wall.

WALL



CAUTION: Always Lift Your Furniture When Moving /Relocating - Do Not Drag. Dragging Can Cause The Legs To Bend/Break.

Amart
Furniture

PRODUCT CARE:

To protect your furniture, we suggest the following:

*Avoid placing your furniture in direct sunlight.

*Do not place furniture directly under windows.

*Do not place sharp materials(knife, fork, etc) directly onto your furniture as sharp material may scrape and damage the finish.

Do not place material with high temperature directly onto the surface of your furniture.

*Protective padding is strongly recommended when using your furniture .

*Clean up spills quickly. Water left over a prolonged period of time may cause damage. Alcohol, perfume, nail polishes, aftershave and some medication may cause severe finish damage if not cleaned immediately.

*Use a clean, soft, dry, lint free absorbant cloth to clean your furniture. Do not use any detergent as they may contain ingredients that may react and damage the finish.